

Owner's Manual



Lawn Stryper Generation 3 Assembly Video



Scan to View



**Read, Understand and Follow ALL Instructions prior to use.
Lea, entienda y siga todas las instrucciones antes de usar.**

S&B Lawn Systems, Inc. / 262-439-9261

Visit <https://www.sblawnsystems.com>

Congratulations...

On your purchase of the Lawn Stryper Generation 3, a S&B Lawn Systems, Inc. product. The Lawn Stryper Generation 3 attachment is designed to easily and safely attach to most walk-behind, self-propelled and push-type lawn mowers. When used properly, the Lawn Stryper Generation 3 attachment will allow you to pattern your lawn just like the pros do at golf courses, landscape firms and major league ballparks.

Prior to creating an eye-popping, people stopping lawn of art with the Lawn Stryper Generation 3 attachment, make certain to read and understand all of the instructions in this Owner's Manual. You are responsible for proper product use and safety.

For great Lawn Stryper Generation 3 patterns, grass tips, product registration, contact information and more visit <https://www.sblawnsystems.com>.

S&B Lawn Systems, Inc. thanks you for your purchase and we wish you and your patterned lawn much happiness for years to come.



Before



After



Safety:

- Read, and understand all of the instructions in this manual prior to using the Lawn Stryper Generation 3 attachment. Follow these instructions whenever using the *Lawn Stryper Generation 3* attachment.
- Lawn Stryper Generation 3 attaches to and follows behind your lawn mower during normal grass-cutting operations, and should not affect the operating characteristics of your mower. Carefully follow all of your lawn mower manufacturer's operating instructions and warnings when using the Lawn Stryper Generation 3 attachment.
- Lawn Stryper Generation 3 attachment should not interfere with normal mower operations, such as cutting / mulching / bagging. If there is any interference **IMMEDIATELY SHUT OFF MOWER**, then inspect the Lawn Stryper Generation 3 attachment installation, make any adjustments needed to correct the problem, and reassess operations to verify that the interference has been resolved.
- The Lawn Stryper Generation 3 attachment is designed to work with most walk-behind, self-propelled and push-type lawn mowers.
DO NOT USE WITH ANY OTHER TYPE OF MOWER.
- The Lawn Stryper Generation 3 attachment must be properly installed, attached, and adjusted in order to work along with your particular lawn mower.
- Do not assemble, disassemble, attach, inspect, or adjust the Lawn Stryper Generation 3 attachment while the mower is running.
SHUT OFF THE MOWER before performing any of these actions.
- Never stand on the Lawn Stryper Generation 3 attachment roller assembly, cover, or clamps.
- Keep hands and feet clear of the Lawn Stryper Generation 3 attachment during mowing operations.
- Install the Lawn Stryper Generation 3 attachment on your mower so that it does not interfere with your ability to walk behind the mower.
- If the Lawn Stryper Generation 3 attachment should interfere with your ability to mow around obstructions, walkways, or other tightly constrained areas, **SHUT OFF THE MOWER**, remove the roller assembly, and then mow around the obstructed area without the roller assembly attached (but with clamp and tube assembly still in place). Once this is completed, once again **SHUT OFF THE MOWER**, replace the roller assembly, and then continue with the rest of your patterned mowing.

Assembly:

- **TOOLS Required: Phillips or Flat Head Screw Driver.**
- **Fill Roller, Completely, with DRY Sand, DO NOT USE PLAY SAND, (sand not included).**

IMPORTANT: Work on a flat level surface - make certain mower is NOT running.

Parts:

A. (2)	YSB-G3-011	Gen 3 Lawn Stryper Inner Clamp(s)
B. (2)	YSB-G3-012	Gen 3 Lawn Stryper Outer Clamps(s)
C. (2)	YSB-G3-015	Gen 3 Lawn Stryper Angle Adjuster(s)
D. (1)	YSB-G3-003	Gen 3 Lawn Stryper Hitch Tube
E. (2)	YSB-G3-017	Gen 3 Lawn Stryper Corner Tube(s)
F. (2)	YSB-G3-013	Gen 3 Lawn Stryper Vertical Tube(s)
G. (1)	YSB-G3-030	Gen 3 Lawn Stryper Stainless Steel Hook
H. (1)	YSB-G3-022	Gen 3 Lawn Stryper Roller Assembly
I. (2)	YSB-G3-021	Gen 3 Lawn Stryper Roller Plug(s)
J. (2)	YSB-G3-175	Zinc Plated PH Screw(s) M6 x 1mm - 45 mm
K. (2)	YSB-G3-200	Zinc plated PH Screw(s) M6 x 1mm - 50 mm
L. (2)	YSB-G3-275	Zinc plated PH Screw(s) M6 x 1mm - 70 mm
M. (7)	YSB-G3-299	Zinc plated M6 Locknut(s)
N. (1)	YSB-G3-289	Washer for Stainless Steel Hook
O. (2)	YSB-G3-301	Gen 3 Lawn Stryper Inner Clamp Insert(s)
P. (2)	YSB-G3-302	Gen 3 Lawn Stryper Outer Clamp Insert(s)

GENERATION 3 Inner & Outer Clamp Insert Guide (Parts O and P)

20" - 22"

Residential Lawn Mower Manufacturer

**GENERATION 3 Inner and Outer
Clamps (Part O and Part P)**

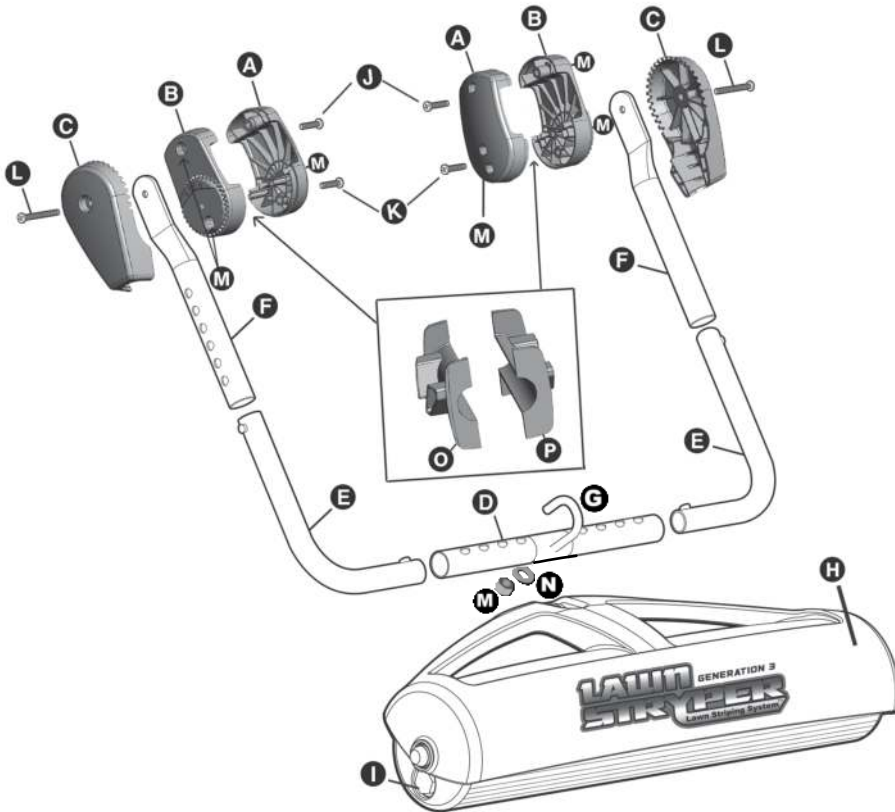
Ariens	G3-01-TC and G3-01-TT
Ariens (Razor Models ONLY)	G3-03-GWC-L08 and G3-03-GWT-L08
Black+Decker	G3-01-TC and G3-01-TT
Bolens	G3-01-TC and G3-01-TT
Brute	G3-01-TC and G3-01-TT
Craftsman (Battery Only)	G3-03-GWC-L08 and G3-03-GWT-L08
Craftsman (Gas Only)	G3-01-TC and G3-01-TT
Cub Cadet	G3-01-TC and G3-01-TT
Dewalt	G3-03-GWC-L08 and G3-03-GWT-L08
ECHO	G3-23-GWA-GC and G3-23-GWA-GT
EGO	G3-04-EC and G3-04-ET
Green Machine	G3-03-GWC-L08 and G3-03-GWT-L08
Greenworks (Oval Handlebars)	G3-23-GWA-GC and G3-23-GWA-GT
Greenworks (Round Handelbars)	G3-03-GWC-L08 and G3-03-GWT-L08
Hart	G3-01-TC and G3-01-TT
Honda	G3-22-HR-HC and G3-22-HR-HT
Husqvarna	G3-01-TC and G3-01-TT
John Deere	G3-01-TC and G3-01-TT
Kobalt	G3-21-RR-RC and G3-21-RC-RT
Kress	G3-23-GWA-GC and G3-23-GWA-GT
Lawn Boy	G3-01-TC and G3-01-TT
Makita	G3-03-GWC-L08 and G3-03-GWT-L08
Masport	G3-01-TC and G3-01-TT
Master Force	G3-01-TC and G3-01-TT
Milwaukee Tool	G3-03-GWC-L08 and G3-03-GWT-L08
Murray	G3-01-TC and G3-01-TT
PowerSmart	G3-01-TC and G3-01-TT
Poulan Pro	G3-01-TC and G3-01-TT
Remington	G3-01-TC and G3-01-TT
Ryobi (rectangular handlebars)	G3-02-RC and G3-02-RT
Ryobi (round handlebars)	G3-21-RR-RC and G3-21-RC-RT
SCAG	G3-03-GWC-L08 and G3-03-GWT-L08
Snapper (Battery Only)	G3-03-GWC-L08 and G3-03-GWT-L08
Snapper (Gas Only)	G3-01-TC and G3-01-TT
Stihl	G3-01-TC and G3-01-TT
Toro	G3-01-TC and G3-01-TT
Troy-Built	G3-01-TC and G3-01-TT
WORX	G3-01-TC and G3-01-TT
Yard Force	G3-01-TC and G3-01-TT
Yard Machines	G3-01-TC and G3-01-TT
Yardworks	G3-01-TC and G3-01-TT
Yardmax	G3-01-TC and G3-01-TT

Lawn Stryper Generation 3 compatibility with 20"-22" residential lawn mowers is subject to change. All lawn mowers and compatibility with Lawn Stryper Generation 3 System may not be listed. Contact S&B Lawn Systems, Inc. via email at service@patternyourlawn.com or by phone at 262.439.9261 with questions regarding compatibility. All lawn mower brands listed along with their associated logos and trademarks are owned exclusively by the respective company, registered in the U.S. and other countries. S&B Lawn Systems, Inc. does not claim any rights or ownership of the listed lawn mower brands. Use of such brands, names, logos or trademarks are utilized solely for the purpose of collateral use, demonstrating S&B Lawn Systems, Inc's., product compatibility.

<https://www.sblawnsystems.com>

5

Lawn Stryper™ Parts View



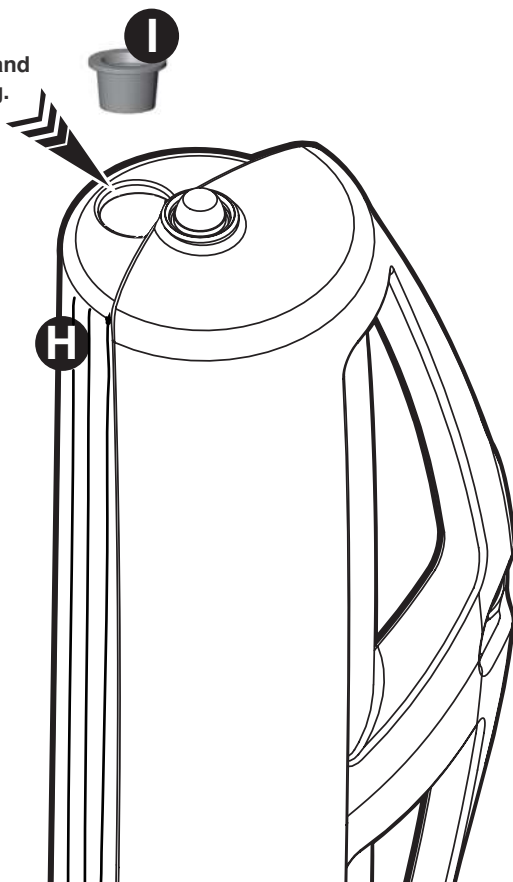
CAUTION: Do not assemble, disassemble, attach, inspect, or adjust the Lawn Stryper Generation 3 attachment while the mower is running. SHUT OFF THE MOWER before performing any of these actions.



DO NOT place clamp system over any type of existing wires/ cables that may be present on lawn mower handlebars.

Step 1

Pour DRY sand into opening.

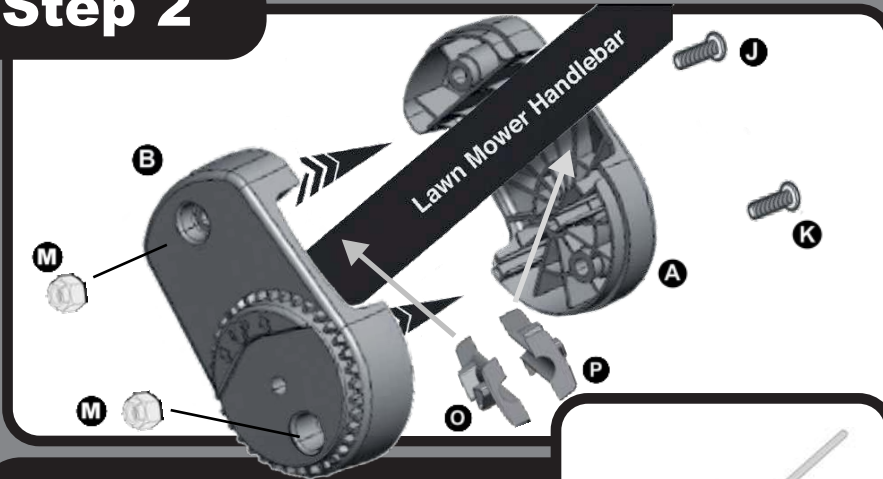


Step 1: Fill Roller. Completely, with DRY Sand.

Completely fill Roller Tube (H), WITH DRY SAND, DO NOT USE PLAY SAND, via holes located on ends of the Generation 3 roller.. Once completely filled, secure roller plugs (I) back in place.

User Tip! Once Completely Filled with DRY Sand, carefully place Roller Plug(s) (I) back in place. Tube Sand, for Roller Fill is an excellent option. Once filled, GENTLY tap Roller, while vertical, on a hard surface to create compaction of sand in Roller. Additional DRY sand usually can be added. Failure to fill completely fill Roller may result in a less dramatic patterning/striping effect.

Step 2



Step 2: Attach Inner Clamps, Outer Clamps with applicable inserts to Handlebars.

Place appropriate Inserts (O & P) into the Inner (A) and Outer (B) clamps. When properly assembled, **ALIGNMENT MARKS** will show a **STRAIGHT LINE**.

Within the LOWER THIRD of handlebars, place Inner Clamp (A) on inside of handlebar while attaching Outer Clamp (B) on outside of handlebar. Be certain to have Inserts (O & P) properly aligned within Inner Clamp (A) and Outer Clamp (B) when placing on handlebar.

Outer Clamp's teeth (B) should be facing outward. Check that the word (UP), located on Outer Clamp (B), is facing upward.

Connect using Zinc Plated PH Screw(s) M6 x 1mm - 45 mm (J) for top of clamp(s) screw slots, and Zinc plated PH Screw(s) M6 x 1mm - 50 mm (K) for bottom of clamp(s) screw slots, and Nylon Lock Nut(s) (M) as outlined in above diagram.

DO NOT FULLY TIGHTEN SCREWS AT THIS STAGE.

Repeat same process on other handlebar making certain Outer Clamp teeth (B) are facing upward.

Alignment marks, when properly assembled, will show straight line on top side of left handlebar and bottom side of right handlebar.

Check to see that left clamp assembly and right clamp assembly, on handlebars, are even to each other.

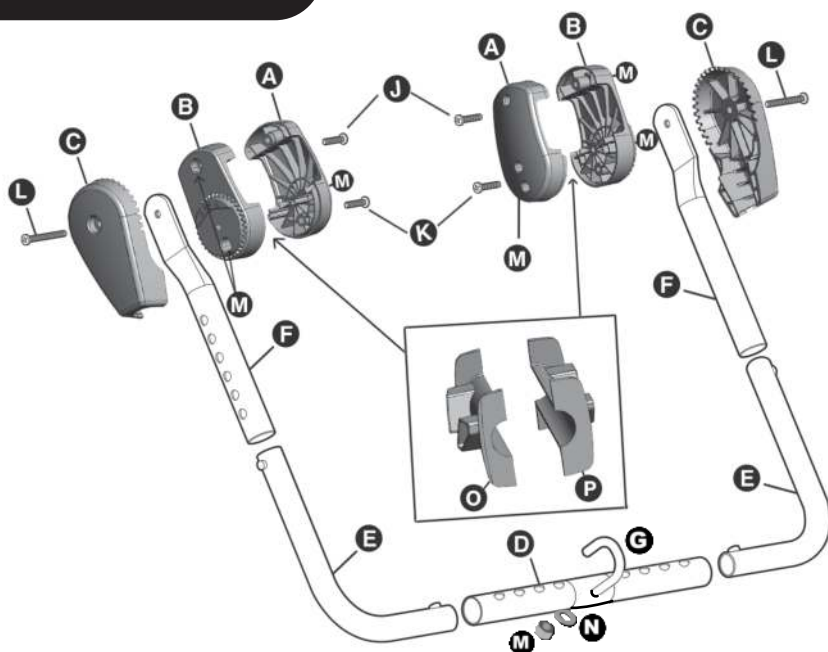
Tighten clamps to handlebars (DO NOT OVERTIGHTEN).



DO NOT place clamp system over any type of existing wires/cables that may be present on lawn mower handlebars.

User Tip! When assembling clamps to handlebars, periodically use the tube assembly to gauge proper location of clamps on handlebars. Adjustments can always be made to Clamp positions (A & B) on handlebars, vertical height of tube assembly (E & F), tube assembly width (D & E) and angle (A,B & E).

Step 3

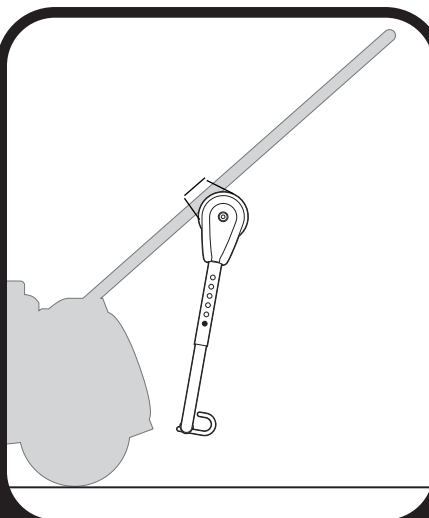


Step 3: Attach Hitch Tube (D), Corner Tubes (E), and Vertical Tubes (F).

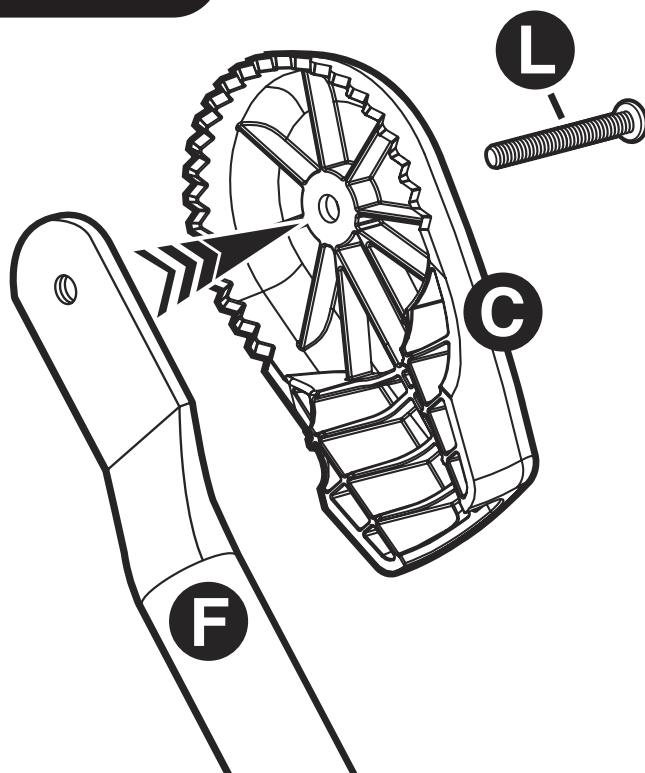
Attach Hitch Tube (D) to Corner Tubes (E) by pressing down on the Valco Pins and locking into place as outlined in the diagram above. SET width of this assembly to the approximate width of mower handlebars (adjustments can be made later).

Attach Vertical Tubes (F) to U-Bar (D & E) assembly. By pressing down on the Valco Pins and locking into place as outlined in the diagram above (adjustments can be made later).

User Tip! When setting width of U-Bar assembly (D & E), make certain that Valco Pins are consistent on each side. For example, if Valco Pin is coming through on hole 2 on left-hand side then Valco Pin should be set for hole 2 on right-hand side. Doing so will ensure hitch is centered with lawn mower.



Step 4



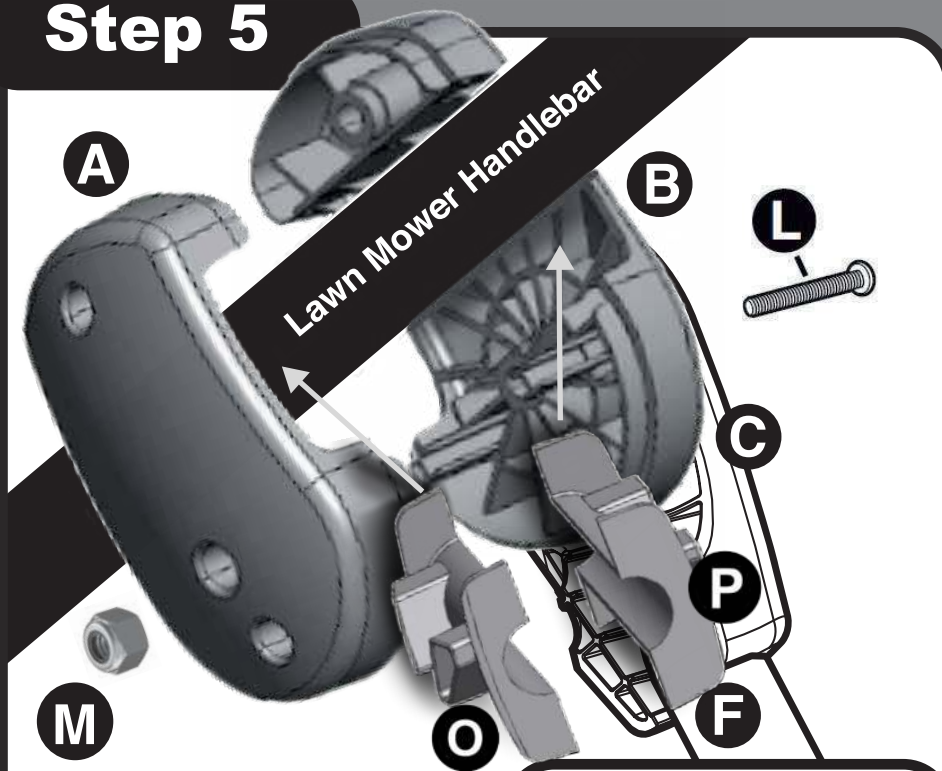
Step 4: Insert Vertical Tubes into Angle Adjusters.

Set Vertical Tube (F) into Angle Adjuster (C). Make certain that top portion of Vertical Tube (F) rests FLAT on inner portion of Angle Adjuster (C) as outlined in above diagram. Screw holes should match up.

Insert Zinc plated PH Screw(s) M6 x 1mm - 70 mm (L) into Angle Adjuster (C) and Vertical Tube (F) as outlined in above diagram.

Repeat process for other Vertical Tube.

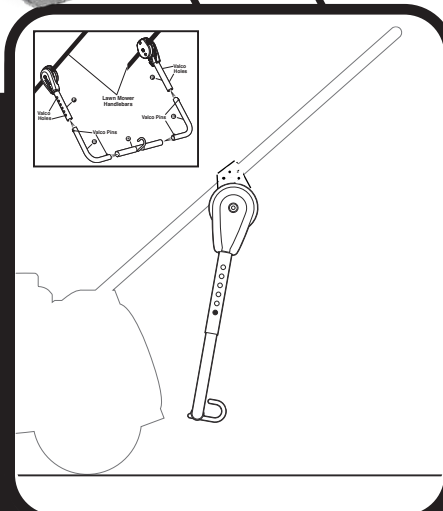
Step 5



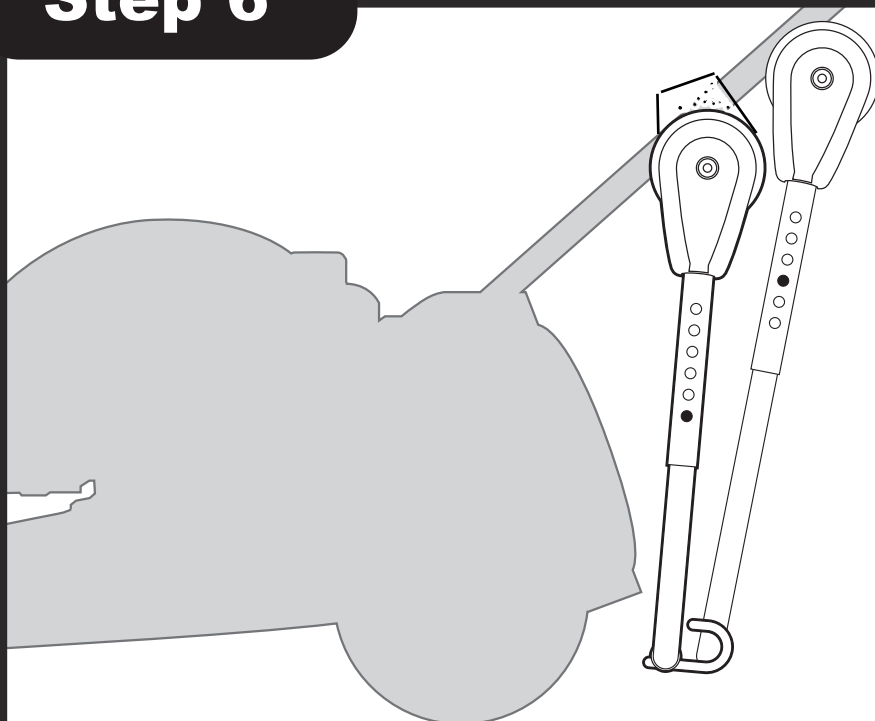
Step 5: Attach Angle Adjuster (C) & Tube Assembly to Handlebar Clamp Assembly.

Align, attach and **PARTIALLY** tighten Angel Adjuster assembly & Tube Assembly to Handlebar Clamp Assembly using the Zinc plated PH Screw(s) M6 x 1mm - 70 mm (L) and the Zinc plated M6 Locknut(s) (M).

User Tip! Do not fully tighten at this point. Angle adjustments will be made in a later step. Make adjustments to clamp positions, height of tube assembly and width of tube assembly if needed to match mower.



Step 6



Step 6: Setting Angle and Height.

Swing assembly AS CLOSE to mower as possible without hitting mower or impeding the mower bagging system*. Make certain left Clamp and right Clamp angles are the same. Once proper angle is achieved, FULLY TIGHTEN ALL SCREWS (do not overtighten).

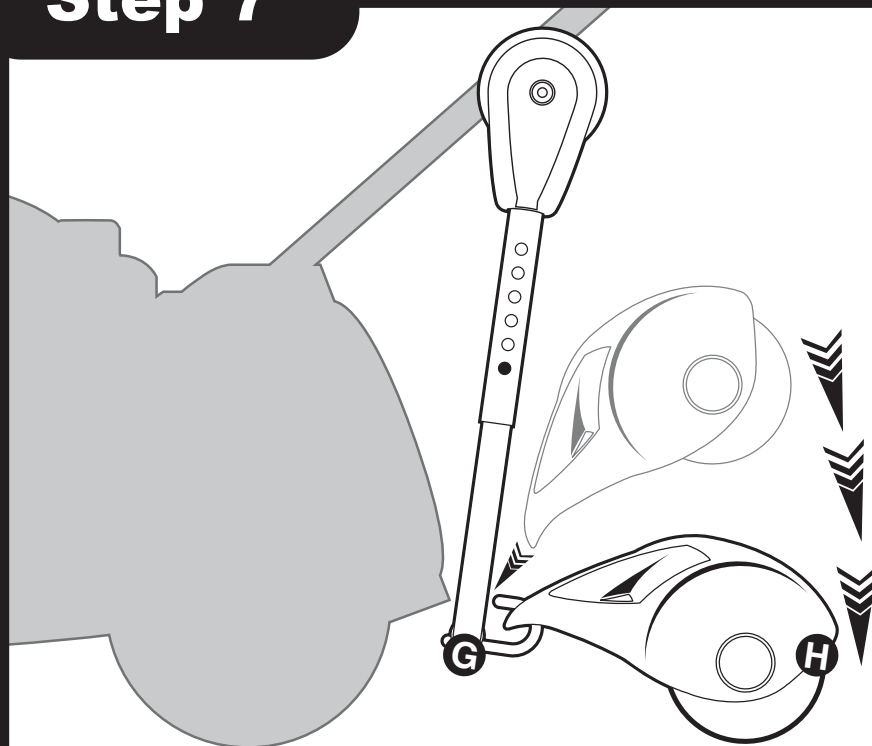
Set height of assembly, via Valco Pins, to **NO LESS** than 2.5 inches off the ground. Make certain that heights are the same on left-hand side and right-hand side.

*Bagging system not supplied with all mowers.

IMPORTANT: Assembly must not be hitting the ground – a minimum of 2.5 inches of clearance is recommended for proper performance. Set height adjustment to accommodate. **DO NOT** assemble the bracketing system that results in an angle that is vertical to the ground **OR** an angle towards user. Angle bracketing system towards back of the mower..

User Tip! An assembly that is angled towards the back of mower is required.

Step 7



Step 7: - Attach Roller Assembly to Hitch Tube.

Attach sand filled Roller Assembly (H) onto Stainless Steel Hook (G) by vertically sliding onto hitch as outlined in above diagram.

User Tip! When you don't want the patterning effect, or perimeter cut is necessary, or when there are obstructions such as fence line, retaining wall, or other objects, remove Roller Assembly (with mower turned off) while keeping tubing and clamp system intact (see helpful tips on page 16).



CAUTION: Do not assemble, disassemble, attach, inspect, or adjust the Lawn Stryper Generation 3 Attachment while the mower is running. SHUT OFF THE MOWER before performing any of these actions.

Finished GENERATION 3 Lawn Stryper™



Double Check:

- **Make certain stride does not impede with the roller assembly.**
- **Make certain the *Lawn Stryper Generation 3* attachment is adjusted to the correct height, width and angle.**
- **Make certain all clamps, tubes and screws are secure.**

Additional width, height and angle adjustments may need to be made based upon personal preference. Use previous guidelines for reference if adjustments need to be made.



CAUTION: Do not assemble, disassemble, attach, inspect, or adjust the *Lawn Stryper™* attachment while the mower is running. SHUT OFF THE MOWER before performing any of these actions.

Lawn Stryper™ Warranty:

S&B Lawn Systems, Inc. shall repair any *Lawn Stryper™* attachment, when used for residential use*, if defective in materials or if it ceases to function due to a failure of its components. S&B Lawn Systems, Inc. will repair or replace, at its sole discretion, a defective *Lawn Stryper™* unit. Owner is responsible for shipping costs. The following time periods, for warranty, apply from date of purchase:

Money-Back Guarantee: 30 Days

Parts and Accessories: 30 Days

Please visit <https://www.sblawnsystems.com> for obtaining warranty service or contact us at 262-439-9261

Must include original date of purchase information, copy of invoice/receipt and return mailing address.

*Residential Use equates to the use of product solely at owner's personal residence. Use of product on more than one location, or to generate income, is considered commercial use. This product is not intended for commercial use.

Owner Responsibilities:

You must maintain your *Lawn Stryper™* attachment by following the guidelines contained in Owner's Manual. You are responsible for proper product use. *Lawn Stryper™* attachment is designed to work with most walk-behind, self-propelled and push-type lawn mowers. **DO NOT USE WITH ANY OTHER TYPE OF MOWER.** *Lawn Stryper™* assembly attaches to and follows behind your lawn mower during normal grass-cutting operations, and should not affect the operating characteristics of your mower. **Carefully follow all of your lawn mower manufacturer's operating instructions and warnings when using the *Lawn Stryper™* attachment.**

For a replacement *Lawn Stryper™* Owner's Manual, please visit our website at <https://www.sblawnsystems.com>

General Conditions:

Lawn Stryper™, a S&B Lawn Systems, Inc. product is not liable for indirect, incidental or consequential damages in connection with lawn mowers in which the *Lawn Stryper™* attachment is attached to, including cost or expenses of providing substitute equipment or service to the mowers in which it is attached to. Some states do not allow exclusions of incidental or consequential damages, so above exclusions and limitations may not apply.

General Tips:

Visual results may vary based upon health of grass, length of grass, available sunlight and seasonal conditions. A less dramatic patterning effect can be a result of insufficient sunlight, dormant grass, unhealthy grass, or when used on Bermuda, St. Augustine, Zoysia or other warm season grass types.

Cutting Perimeter:

Cut perimeter of grass plot once or twice. Doing so will allow for a consistent turning area and a clean patterning path.

Change Mowing/Pattern Design:

Alternate mowing patterns and designs every few weeks.

'Line of Sight' – Admiring Your Patterns:

A dark 'stripe' is created when patterning towards the viewer and a light 'stripe' is created by patterning away from the viewer. In order to view all of the benefits, 'line of sight' patterning is recommended. For example, if you were sitting on your front porch, looking out towards your lawn, consider patterning lines that come straight to and away from your porch as seen in picture below. If you were to view these same patterns from the side, visual results may be less dramatic.



<https://www.sblawnsystems.com>

General Tips Continued:

Patterning Effect:

The *Lawn Stryper™* attachment is specifically designed to properly 'bend' grass after it has been cut. This proper 'bend' results in light reflecting differently off grass blades thus producing the pattern effect. Results may vary based upon health of grass, length of grass, type of grass, dormant/drought stricken grass, available sunlight and/or seasonal conditions.

Obstructions:

If obstructions such as fences, retaining walls, driveways, walkways, curbs, ditches, embankments or other objects are present, remove (WITH MOWER TURNED OFF) *Lawn Stryper™* Roller Assembly from hitch system. Once cut around obstruction is complete, attach (WITH MOWER TURNED OFF) the Roller Assembly to hitch system to return to patterning/Striping.



CAUTION: Do not assemble, disassemble, attach, inspect, or adjust the *Lawn Stryper™* attachment while the mower is running. **SHUT OFF THE MOWER** before performing any of these actions.

<https://www.sblawnsystems.com>

Troubleshooting:

Roller Does Not Turn:

- With mower turned OFF, check to see if any type of debris such as bark, twigs, stones, or other objects have obstructed the roller's ability to turn. If so, with mower turned OFF, remove debris from the roller.
- Make certain that the roller plugs, on roller tube, are properly positioned. Check to see that the roller plugs are flush with end caps. A loose plug will impede roller's ability to turn properly.
- Make certain that the roller is filled properly with **DRY** sand. An empty or partially filled roller may not function properly.

Patterning Effect Does Not Show:

- Make certain to view with 'line of sight' in mind.
- *Lawn Stryper™* attachment installed incorrectly – refer to Owner's Manual.
- Grass may be cut too short.
- For dormant or drought stricken grass. S&B Lawn Systems Inc., recommends that the *Lawn Stryper™* attachment not be used when grass is dormant or is under stress due to drought.
- Grass may be damaged, unhealthy or too sparse.
- Lack of proper sunlight – partial/full sun is optimal.

U-Bar Assembly is Hitting the Ground:

- With mower turned off, set u-bar assembly to proper height and angle as outlined in Owner's Manual.
- With mower turned off, make certain that the assembly height is the same on both sides as outlined in Owner's Manual.

Visit <https://www.sblawnsystems.com> for additional tips, frequently asked questions, product registration, contact information and more.



CAUTION: Do not assemble, disassemble, attach, inspect, or adjust the *Lawn Stryper™* attachment while the mower is running. **SHUT OFF THE MOWER** before performing any of these actions.

<https://www.sblawnsystems.com>

Lawn Care Tips:

It is important to have a healthy lawn in order to experience all of the benefits of the *Lawn Stryper™* attachment. Please find below a few general lawn care tips that will help to ensure a strong and beautiful lawn.

Keep Lawn Mower Blade Sharp:

A common error is to neglect the lawn mower's blade. A well maintained and sharp blade enables the grass to be cut cleanly. A dull blade can result in a 'scalping' of the grass which can lead to lawn becoming weak, stressed and even prone to disease. It is recommended that you have your blade sharpened, by an authorized lawn mower technician, a minimum of once per season.

Use the "1/3 Rule":

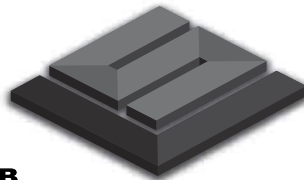
Another common error is cutting grass too short. It is extremely important to mow regularly as well as to refrain from cutting more than 1/3 off at a time, no matter how tall the grass may be. Cutting grass too short may cause undue stress and may harm the lawn's ability to support root growth. To determine your optimal grass length, you must first find out what type of grass you have. Common grasses include Kentucky Bluegrass, Perennial Ryegrass, Bent, Fescue and Bermuda Grass. If you do not know what type of grass you have, simply take a sample over to your local agricultural center for identification. Listed below are a few recommended heights for some common grasses.

Kentucky Bluegrass:	2.5 to 4 inches
Perennial Ryegrass:	2.5 to 4 inches
Fescue:	3 to 4.5 inches
Bermuda:	1/2 to 1 inch

<https://www.sblawnsystems.com>

LAWN GENERATION 3 STRYPER Lawn Striping System™

Visit <https://www.sblawnsystems.com>



S&B
LAWN SYSTEMS™
INC.

S&B Lawn Systems, Inc.
262-439-9261

Copyright © 2023 S&B Lawn Systems, Inc.



Scan to View

Lawn Stryper Generation 3 Assembly Video